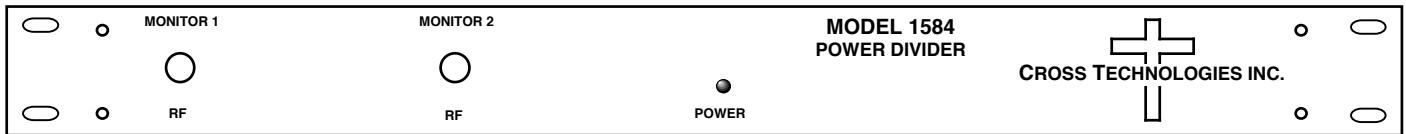
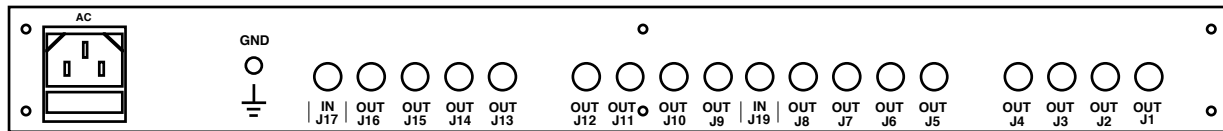


**1584-29S RF Splitter, 0.95 - 2.15 GHz**

The Model 1584-29S has two nine-way, 0.95 - 2.15 GHz, 0 dB gain splitters in a 1RU rack mount chassis. Each splitter provides surge protection (to protect against high voltage transients) on the RF input and has eight outputs on the back panel and a monitor of the RF output on the front panel. Fused LNB power can be inserted on each RF input. A 100-240  $\pm$ 10% VAC input power supply provides power to the unit. On the front panel, a green LED indicates the presence of DC voltage from the power supply.



**1584-29S FRONT PANEL**



**1584-29S REAR PANEL**

**EQUIPMENT SPECIFICATIONS\*\*\***

**Input Characteristics**

Input Impedance 75 $\Omega$  (Type F; 50, 75 $\Omega$  BNC optional)  
 Return Loss 10dB min, 14dB typ  
 Input Level -20 dBm total maximum

**Output Characteristics**

Impedance 75 $\Omega$  (Type F; 50, 75 $\Omega$  BNC optional)  
 Return Loss 10dB min, 14dB typ

**In-Band Characteristics**

Gain 0 dB  $\pm$  1.0 dB at 1.55 GHz  
 Frequency Response  $\pm$  1.5 dB, 0.95 - 2.15 GHz;  
 $\pm$  0.5 dB, any 20 MHz incr.  
 Port to Port Isolation > 18 dB, 20 dB typ  
 Splitter to Splitter Isol. > 35 dB, 40 dB typ

**Indicators**

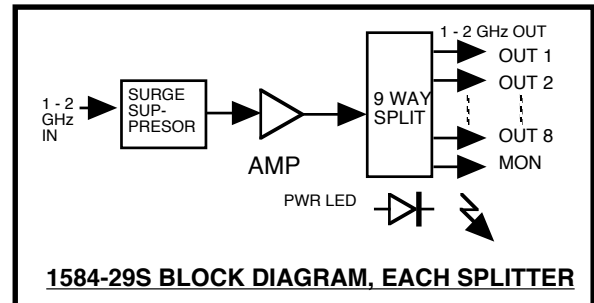
Power Green LED

**Other**

Surge Suppressor SiDACTOR  
 RF connectors Type F (female)  
 AC Power 100-240  $\pm$  10% VAC, 47 - 63 Hz, 30 watts max  
 Mechanical 19 inch standard chassis 1.75" high X 12" deep

**Options**

B-20 75 $\Omega$ , BNC RF Connectors  
 D-20 50 $\Omega$ , BNC RF Connectors  
 R Redundant Power Supplies



\*\*\*10°C to 40°C; Specifications subject to change without notice